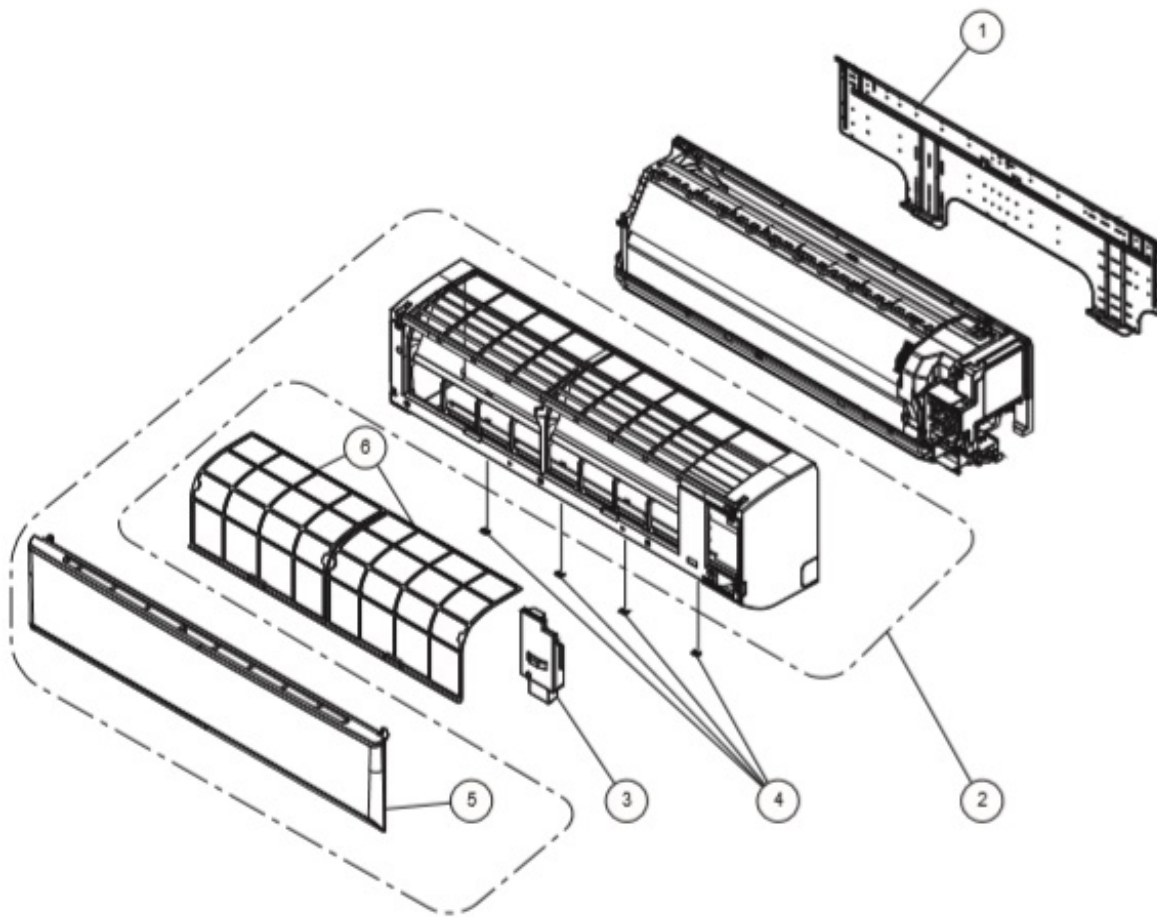


Diagrams for Model ASUA36TLAV2

Model Information: [ASUA36TLAV2](#) VRF Inner Unit - H/R 36,000 BTU -Wall Mounted Unit.

A complete list of parts used in this diagram is listed below.

MODELS : ASUA30/ 36TLAV2



Listed below are parts available for ASUA36TLAV2. To purchase a part enter the desired quantity on the parts line. Once you have selected parts to purchase, click the Submit button located at the bottom of the list.

Item #	Part #	Price	In-Stock Rating		Description
			East Coast	West Coast	
1	K9386990004	\$10.77	Low	Low	BRACKET PANEL HY ASU30RLE SGCC-Z-NC-X Z18 T0.7
2	K9387072082	\$31.72	Not in Stock	Fair	FRONT PANEL TA VAB
3	K9387074000	\$3.11	Not in Stock	Fair	WIRE COVER AS ASU30RLE HY ASGA36FETA-U
4	K9386986007	\$1.00	Fair	Good	CAP SCREW HY ASU30RLE HIPS
5	K9382114008	\$12.01	Not in Stock	Fair	INTAKE GRILLE ASSY VAB
6	K9386960007	\$5.82	Not in Stock	Not in Stock	AIR FILTER HY ASU30RLE PP

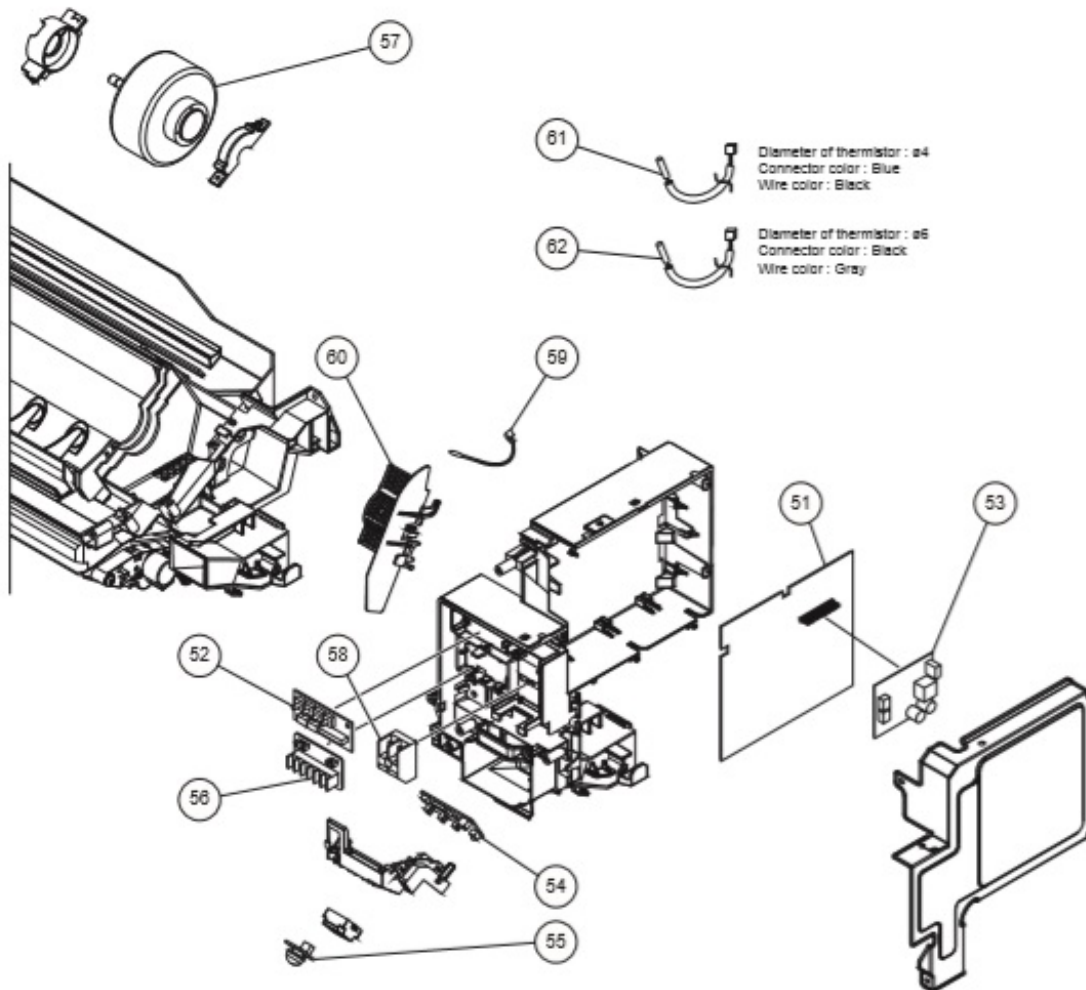
SUBMIT

Diagrams for Model ASUA36TLAV2

Model Information: [ASUA36TLAV2](#) VRF Inner Unit - H/R 36,000 BTU -Wall Mounted Unit.

A complete list of parts used in this diagram is listed below.

MODELS : ASUA30/ 36TLAV2



Listed below are parts available for ASUA36TLAV2. To purchase a part enter the desired quantity on the parts line. Once you have selected parts to purchase, click the Submit button located at the bottom of the list.

Item #	Part #	Price	In-Stock Rating		Description
			East Coast	West Coast	
51	K9710649059	\$74.68	Good	Fair	CONTROLLER PCB VAB K16HM-1901HSE-C1
52	K9707732030	\$14.16	Fair	Fair	SWITCH PCB ASSY VAB K06EL-1600HSE-SW0
53	K9709373026	\$38.77	Good	Good	COMMUNICATION PCB IN VAB K11AI-1600HSE-CA1
54	K9710086014	\$3.51	Not in Stock	Good	DISPLAY PCB VAB K14YA-1600HSE-D0
55	K9317755061	\$6.92	Low	Not in Stock	PYROELECTRIC SENSOR RLS3/Y

Diagrams for Model ASUA36TLAV2

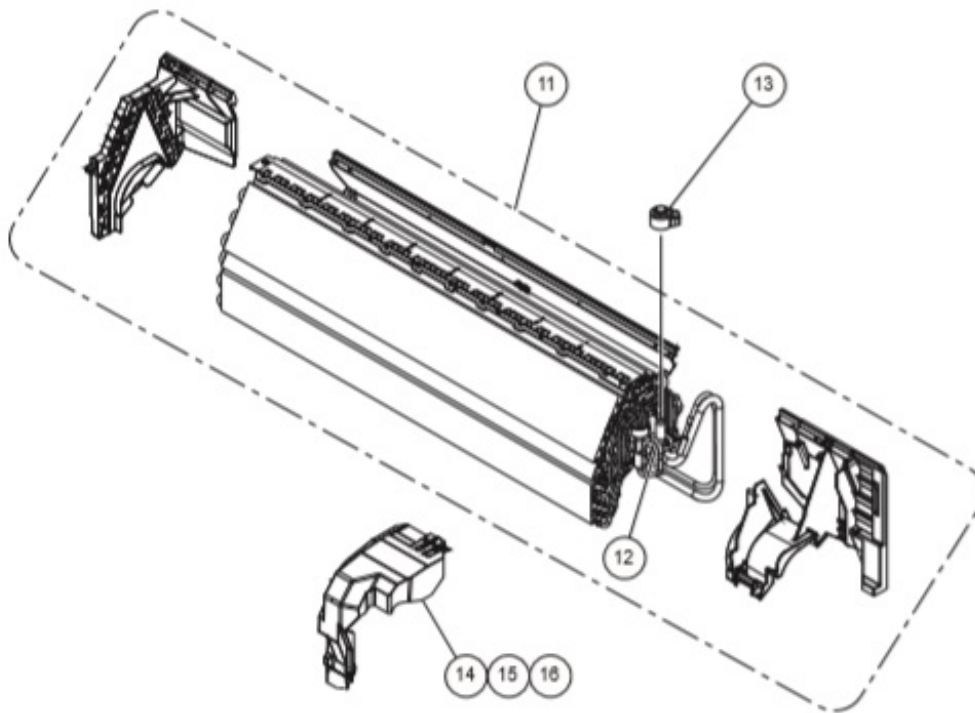
56	K9707736014	\$12.35	Low	Good	TERMINAL PCB VAB# K07CQ-0700HSE-TM0
57	K9603458027	\$37.90	Good	Good	MOTOR DC BRUSHLESS HVAB MFD-Z80XB3N 55CVL-F161-3
58	K9703873072	\$1.00	Not in Stock	Low	TERMINAL VAB HP-T3039-1-L10
59	K9900960018	\$1.00	Not in Stock	Good	THERMISTOR ROOM VAB ED2F103AR-16E066
60	K9386988001	\$1.00	Not in Stock	Low	HOLDER ROOM THERM HY ASU30RLE ABS-HR
61	K9900622022	\$2.23	Not in Stock	Good	THERMISTOR PIPE VAB DTN-FTZ561S
62	K9900623029	\$2.02	Good	Good	THEMISTOR PIPE VAB DTN-FTZ565S
A	K9710230028	\$10.42	Not in Stock	Good	DISPLAY ASSY VAB EZ-0162BHSE-D

SUBMIT

Diagrams for Model ASUA36TLAV2

Model Information: [ASUA36TLAV2](#) VRF Inner Unit - H/R 36,000 BTU -Wall Mounted Unit.
A complete list of parts used in this diagram is listed below.

MODELS : ASUA30/ 36TLAV2



Listed below are parts available for ASUA36TLAV2. To purchase a part enter the desired quantity on the parts line. Once you have selected parts to purchase, click the Submit button located at the bottom of the list.

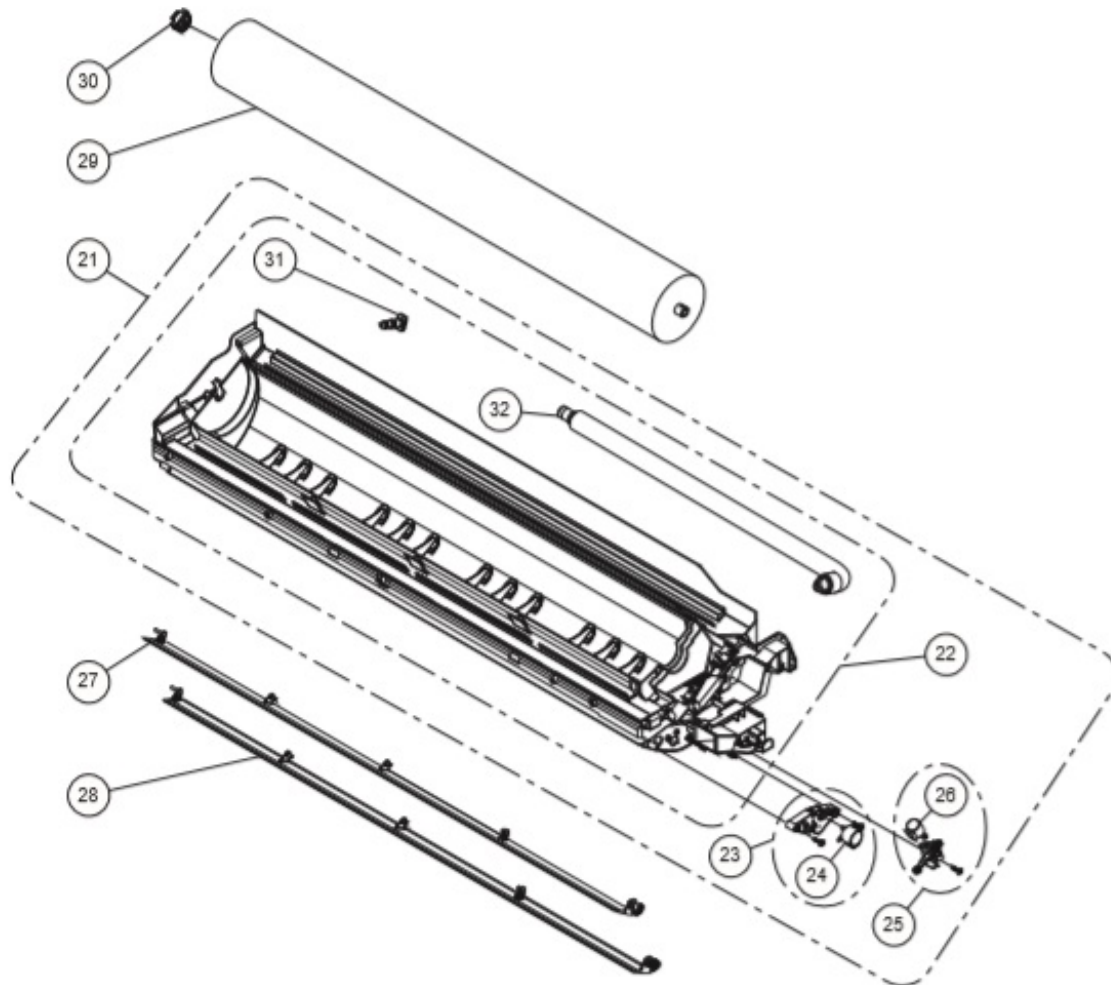
Item #	Part #	Price	In-Stock Rating		Description
			East Coast	West Coast	
11	K9382185022	\$252.03	Not in Stock	Fair	EVAPORATOR TA VAB
12	K9970104039	\$37.93	Not in Stock	Fair	EXPANSION VALVE VAB PAM-B60YGKG-1
13	K9970105081	\$35.03	Not in Stock	Good	COIL EXPANSION VALVE VAB PAM-MD12KG-8 L=500
14	K9382511005	\$1.38	Not in Stock	Low	COVER PIPE VAB ABS
15	K9382674007	\$1.00	Not in Stock	Low	INSULATION PIPE COVER VAB FPE T5 R BK/GY
16	K9378494008	\$1.00	Not in Stock	Low	FPE T5 50*30 VAB FPE TYPE D BLACK

SUBMIT

Diagrams for Model ASUA36TLAV2

Model Information: [ASUA36TLAV2](#) VRF Inner Unit - H/R 36,000 BTU -Wall Mounted Unit.
A complete list of parts used in this diagram is listed below.

MODELS : ASUA30/ 36TLAV2



Listed below are parts available for ASUA36TLAV2. To purchase a part enter the desired quantity on the parts line. Once you have selected parts to purchase, click the Submit button located at the bottom of the list.

Item #	Part #	Price	In-Stock Rating		Description
			East Coast	West Coast	
21	K9387059090	\$38.29	Not in Stock	Low	CASING TA VAB
22	K9387060034	\$32.17	Not in Stock	Low	CASING ASSY VAB
23	K9387062007	\$3.93	Not in Stock	Fair	GEAR COVER ASSY
24	K9900384234	\$2.67	Not in Stock	Good	MOTOR STEP 30RLE HY 24BYJ48-1651
25	K9387063004	\$4.08	Not in Stock	Low	LINK HOLDER ASU30RLE HY

Diagrams for Model ASUA36TLAV2

26	K9900139186	\$2.29	Not in Stock	Good	MOTOR STEP 30RLE HY 20BYJ46-382
27	K9387252002	\$4.62	Fair	Fair	LOUVER U ASSY ASU30RLE HVAB ASGA36FETA-U
28	K9387253009	\$4.24	Not in Stock	Fair	LOUVER Z ASSY ASU30RLE HVAB ASGA36FETA-U
29	K9387055009	\$12.80	Not in Stock	Good	CROSSFLOW FAN HY ASU30RLE ASG ECO CROSS L=923 D=107.3
30	K9306628017	\$4.31	Good	Good	HOLDER-C SHAFT ASU** #HVAB RUBBER
31	K9316177017	\$1.11	Not in Stock	Good	DRAIN CAP RAC- HFI HVAB# EPDM B3 610 BLACK
32	K9387056006	\$2.64	Not in Stock	Low	HOSE DRAIN ASSY HY ASU30RLE PP+HDPE

